

Nano Bollards

Nano Automatic Rising / Retractable Telescopic Bollard

Nano bollards are used as an access control system for motor vehicles.

They offer distinct advantages over boom gates and other forms of vehicular access control.

- ✓ Physically stop vehicles from an authorised entry or exit
- ✓ Nano bollards are affordable
- ✓ Operate across wide driveways entrances
- ✓ A deterrent to ramming
- ✓ Higher
- ✓ Stronger
- ✓ Quicker operation than boom gates and automatic gates
- ✓ Maintain a continuity of design with the Nano static / fixed and lighting bollards

Domestic Applications

- ✓ Additional security for vehicles
- ✓ Anti hi-jack

High Security Applications

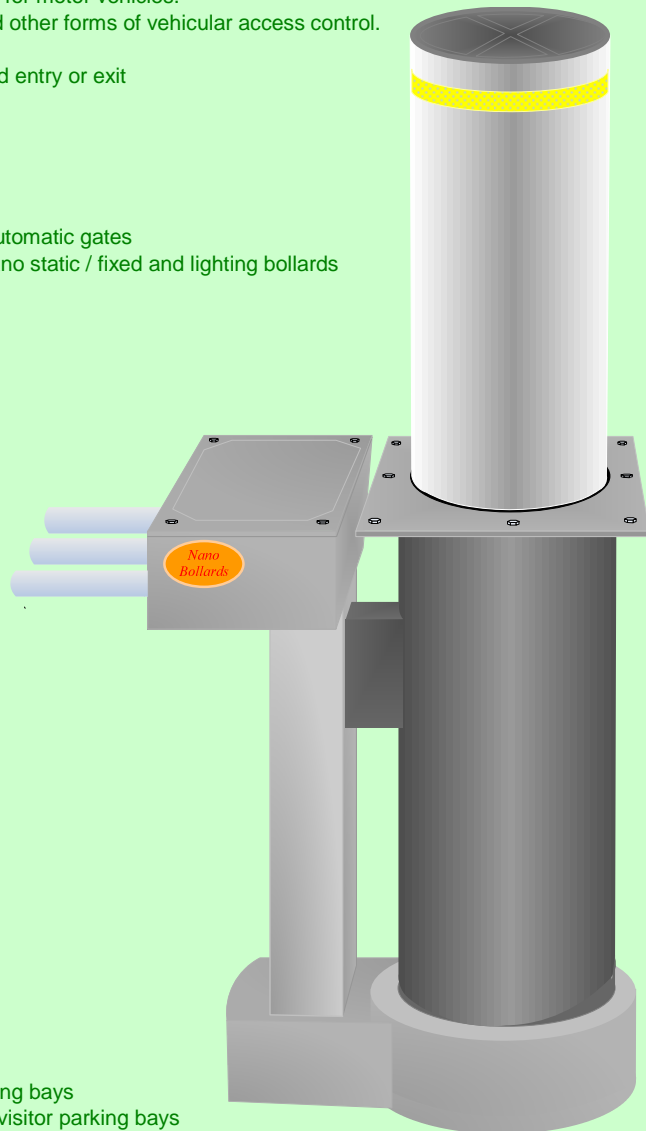
- ✓ Hospitals
- ✓ Government & public buildings
- ✓ Hotels and B&Bs
- ✓ High-profile Corporate buildings
- ✓ Military installations
- ✓ Government utilities & key infrastructure
- ✓ Embassies & consulates
- ✓ Casinos
- ✓ Banks

Access Control Applications

- ✓ Bus routes
- ✓ City squares
- ✓ Pedestrian malls
- ✓ Dedicated pedestrian areas & parks
- ✓ University campuses

Parking Reservation

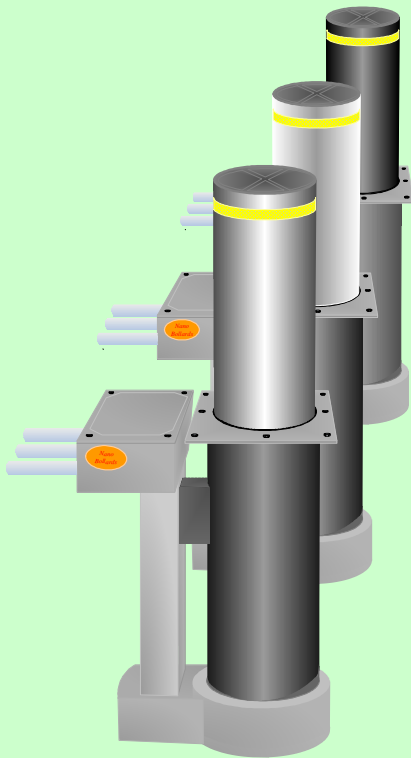
- ✓ Shopping centres – Disabled parking bays
- ✓ Hospitals – Doctor and management parking bays
- ✓ Business parks – Staff, management and visitor parking bays



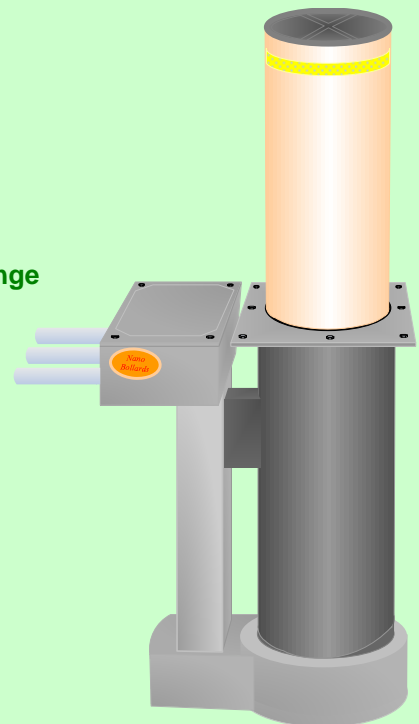
Nano retractable bollards are available in automatic, semi-automatic and manual telescopic, and removable and static models.

Nano Bollards

Available in Standard White and Black or Brushed Stainless Steel

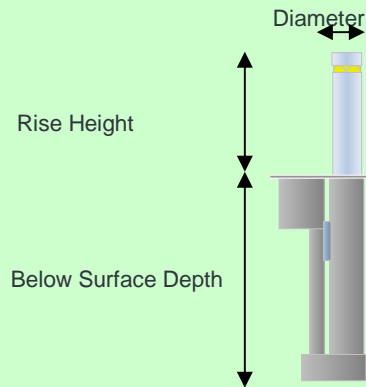


Introducing the new Flexi Glow Range



Nano Bollards

Nano Engine and Hydraulic Automatic Rising / Retractable Telescopic Bollard Range

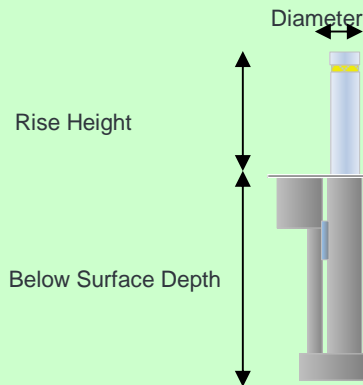


Duty / Usage	Diameter	Rise Height	Below Surface Depth	Power	Rise / Retract Speed
Nano ND100/550/NE	100 mm	550mm	980mm	150ma	2 to 5 Adjustable
Nano ND150/550/NE	150 mm	550mm	980mm	150ma	2 to 5 Adjustable
Nano ND200/550/NE	200 mm	550mm	980mm	150ma	3 to 7 Adjustable
Nano ND300/550/NE	300 mm	550mm	980mm	150ma	3 to 7 Adjustable
Nano ND400/550/NE	400 mm	550mm	980mm	150ma	4 to 10 Adjustable
Nano ND100/600/NE	100 mm	600mm	1100mm	150ma	2 to 5 Adjustable
Nano ND150/600/NE	150 mm	600mm	1100mm	150ma	2 to 5 Adjustable
Nano ND200/600/NE	200 mm	600mm	1100mm	150ma	3.25 to 7 Adjustable
Nano ND300/600/NE	300 mm	600mm	1100mm	150ma	4.25 to 10 Adjustable
Nano ND400/600/NE	400 mm	600mm	1100mm	150ma	4.25 to 10 Adjustable

Duty / Usage	Diameter	Rise Height	Below Surface Depth	Power	Rise / Retract Speed
Nano ND100/550/H	100 mm	550mm	980mm	1.5A	2 to 5 Adjustable
Nano ND150/550/H	150 mm	550mm	980mm	1.5A	2 to 5 Adjustable
Nano ND200/550/H	200 mm	550mm	980mm	1.5A	3 to 7 Adjustable
Nano ND300/550/H	300 mm	550mm	980mm	1.5A	3 to 7 Adjustable
Nano ND400/550/H	400 mm	550mm	980mm	1.5A	4 to 10 Adjustable
Nano ND100/600/H	100 mm	600mm	1100mm	1.5A	2 to 5 Adjustable
Nano ND150/600/H	150 mm	600mm	1100mm	1.5A	2 to 5 Adjustable
Nano ND200/600/H	200 mm	600mm	1100mm	1.5A	3.25 to 7 Adjustable
Nano ND300/600/H	300 mm	600mm	1100mm	1.5A	4.25 to 10 Adjustable
Nano ND400/600/H	400 mm	600mm	1100mm	1.5A	4.25 to 10 Adjustable

Nano Bollards

Nano Pneumatic and Electrical Automatic Rising / Retractable Telescopic Bollard



Duty / Usage	Diameter	Rise Height	Below Surface Depth	Power	Rise / Retract Speed
Nano ND100/550/P	100 mm	550mm	980mm	1.5A	2 to 5 Adjustable
Nano ND150/550/P	150 mm	550mm	980mm	1.5A	2 to 5 Adjustable
Nano ND200/550/P	200 mm	550mm	980mm	1.5A	3 to 7 Adjustable
Nano ND300/550/P	300 mm	550mm	980mm	1.5A	3 to 7 Adjustable
Nano ND400/550/P	400 mm	550mm	980mm	1.5A	4 to 10 Adjustable
Nano ND100/600/P	100 mm	600mm	1100mm	1.5A	2 to 5 Adjustable
Nano ND150/600/P	150 mm	600mm	1100mm	1.5A	2 to 5 Adjustable
Nano ND200/600/P	200 mm	600mm	1100mm	1.5A	3.25 to 7 Adjustable
Nano ND300/600/P	300 mm	600mm	1100mm	1.5A	4.25 to 10 Adjustable
Nano ND400/600/P	400 mm	600mm	1100mm	1.5A	4.25 to 10 Adjustable

Duty / Usage	Diameter	Rise Height	Below Surface Depth	Power	Rise / Retract Speed
Nano ND100/550/E	100 mm	550mm	980mm	1.5A	2 to 5 Adjustable
Nano ND150/550/E	150 mm	550mm	980mm	1.5A	2 to 5 Adjustable
Nano ND200/550/E	200 mm	550mm	980mm	1.5A	3 to 7 Adjustable
Nano ND300/550/E	300 mm	550mm	980mm	1.5A	3 to 7 Adjustable
Nano ND400/550/E	400 mm	550mm	980mm	1.5A	4 to 10 Adjustable
Nano ND100/600/E	100 mm	600mm	1100mm	1.5A	2 to 5 Adjustable
Nano ND150/600/E	150 mm	600mm	1100mm	1.5A	2 to 5 Adjustable
Nano ND200/600/E	200 mm	600mm	1100mm	1.5A	3.25 to 7 Adjustable
Nano ND300/600/E	300 mm	600mm	1100mm	1.5A	4.25 to 10 Adjustable
Nano ND400/600/E	400 mm	600mm	1100mm	1.5A	4.25 to 10 Adjustable

Nano Bollards

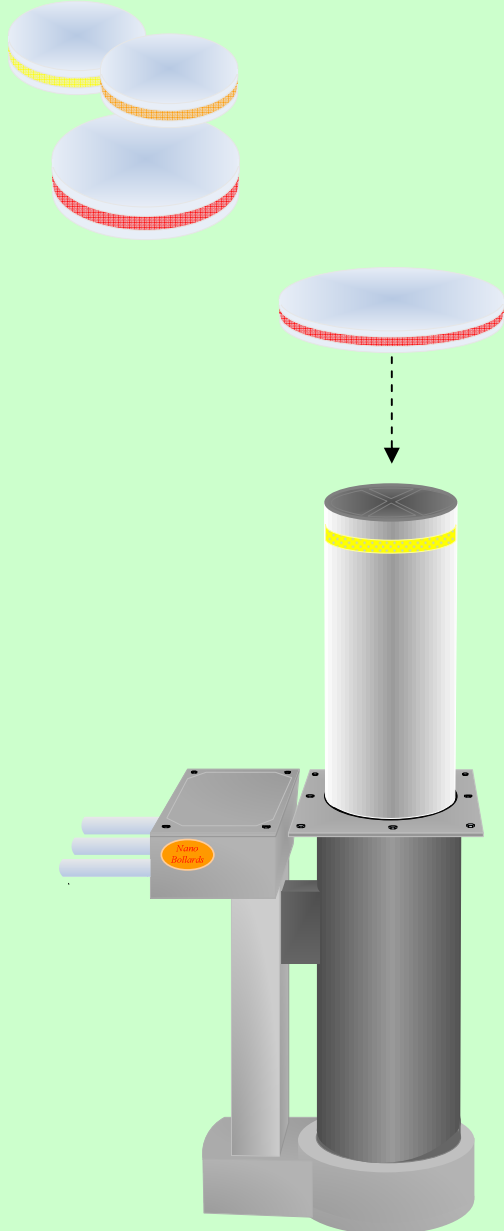
Nano Bollard Optional Extras

Device / Interface / Control / Luminary		Note
GPS Control	Option	
Extra Remote	Option	1 supplied with order
Magnetic Mass Loop	Option	
Card Reader	Option	
GSM Control	Option	
Tag Control	Option	
Biometric Reader	Option	
Numeric Keypad	Option	
Timer	Option	
Traffic Light Cluster	Option	
Push Button	Option	
Gate / Door Interface	Option	
Ballard Up lighter and Base	Option	
LED Cap	Option	
Safety Alarm	Option	



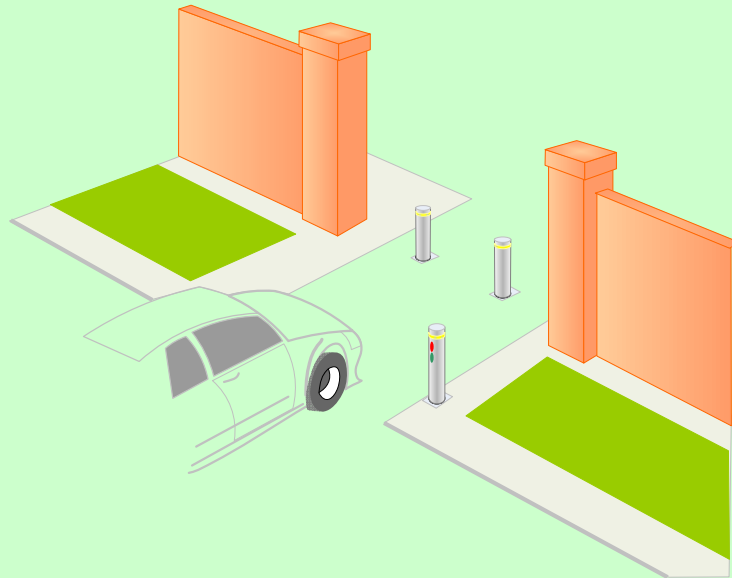
Nano Bollards

Nano Bollard LED Add-On

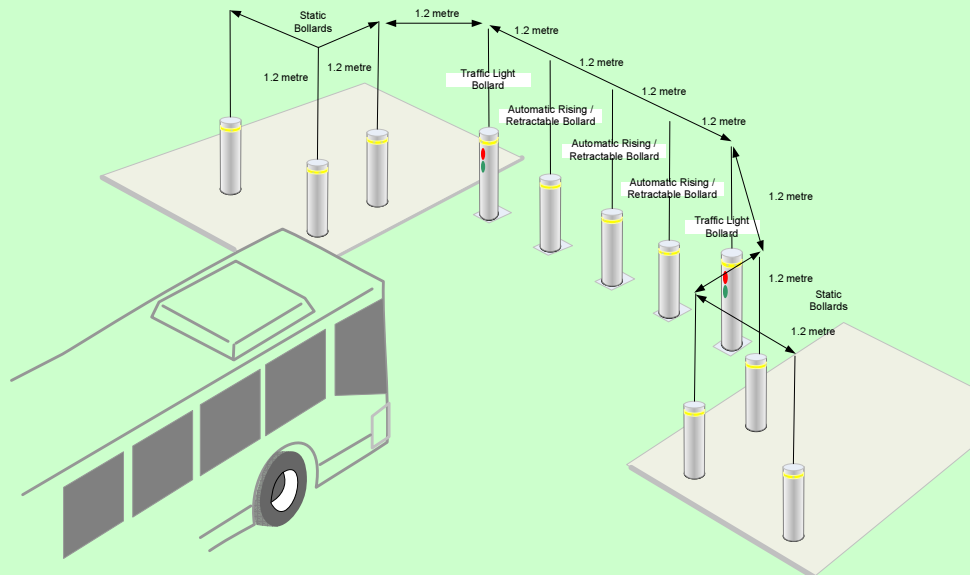


Nano Bollards

Bollard Installation Layouts



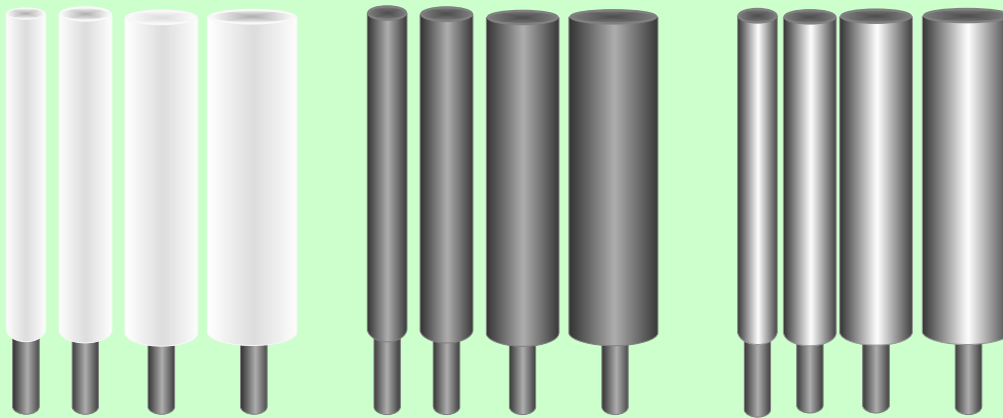
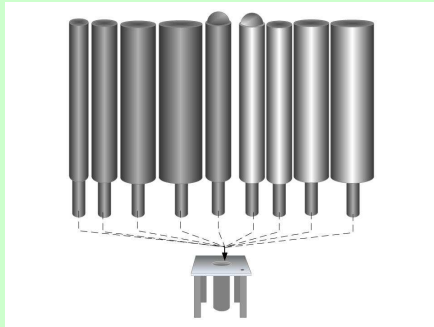
Wide Gate Entrance



Dedicated access to authorised vehicles in CBD areas

Nano Bollards

Removable Bollards



Duty / Usage	Diameter	Height	Below Surface Depth
Nano ND100/550/RB	100 mm	550mm	400 mm
Nano ND150/550/RB	150 mm	550mm	400 mm
Nano ND200/550/RB	200 mm	550mm	400 mm
Nano ND300/550/RB	300 mm	550mm	400 mm
Nano ND400/550/RB	400 mm	550mm	400 mm
Nano ND100/600/RB	100 mm	600mm	400 mm
Nano ND150/600/RB	150 mm	600mm	400 mm
Nano ND200/600/RB	200 mm	600mm	400 mm
Nano ND300/600/RB	300 mm	600mm	400 mm
Nano ND400/600/RB	400 mm	600mm	400 mm
Nano Base	N/a	N/a	500 mm

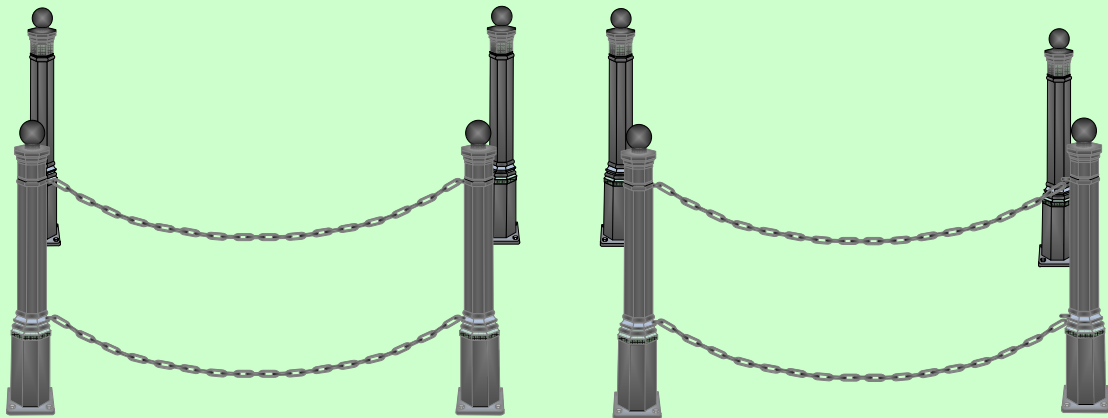
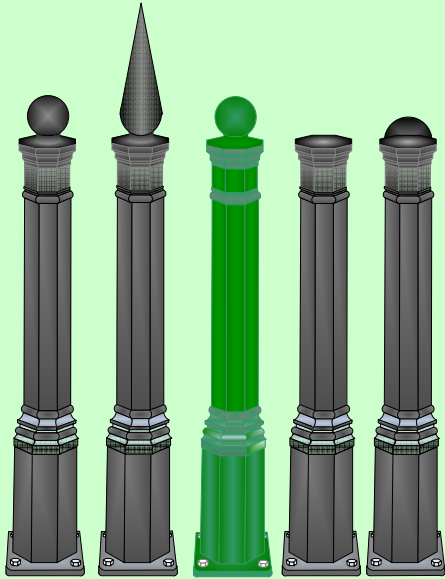
Nano Bollards

Static Bollards

Duty / Usage	Diameter	Rise Height	Below Surface Depth
Nano ND100/550/SB	100 mm	550mm	400 mm
Nano ND150/550/SB	150 mm	550mm	400 mm
Nano ND200/550/SB	200 mm	550mm	400 mm
Nano ND300/550/SB	300 mm	550mm	400 mm
Nano ND400/550/SB	400 mm	550mm	400 mm
Nano ND100/600/SB	100 mm	600mm	400 mm
Nano ND150/600/SB	150 mm	600mm	400 mm
Nano ND200/600/SB	200 mm	600mm	400 mm
Nano ND300/600/SB	300 mm	600mm	400 mm
Nano ND400/600/SB	400 mm	600mm	400 mm

Nano Bollards

Architectural Bollards



The logo for Nano Bollards is a horizontal rectangular banner with a metallic, brushed metal texture. The banner is flanked by two vertical cylindrical pillars, also with a metallic texture. The text "Nano" is positioned above "Bollards", both in a bold, italicized, sans-serif font. The text is white with a slight drop shadow, making it stand out against the dark grey background of the banner.

Nano Bollards

Filename: Nano Brochure
Directory: C:\Users\Graham\Documents\Bollards\Website
material\Nano Brochure
Template: C:\Users\Graham\AppData\Roaming\Microsoft\Templa
tes\Normal.dot
Title: 1
Subject:
Author: Graham
Keywords:
Comments:
Creation Date: 01/05/2011 19:35:00
Change Number: 7
Last Saved On: 02/05/2011 21:58:00
Last Saved By: Graham
Total Editing Time: 378 Minutes
Last Printed On: 02/05/2011 22:12:00
As of Last Complete Printing
Number of Pages: 11
Number of Words: 1 451 (approx.)
Number of Characters: 8 275 (approx.)